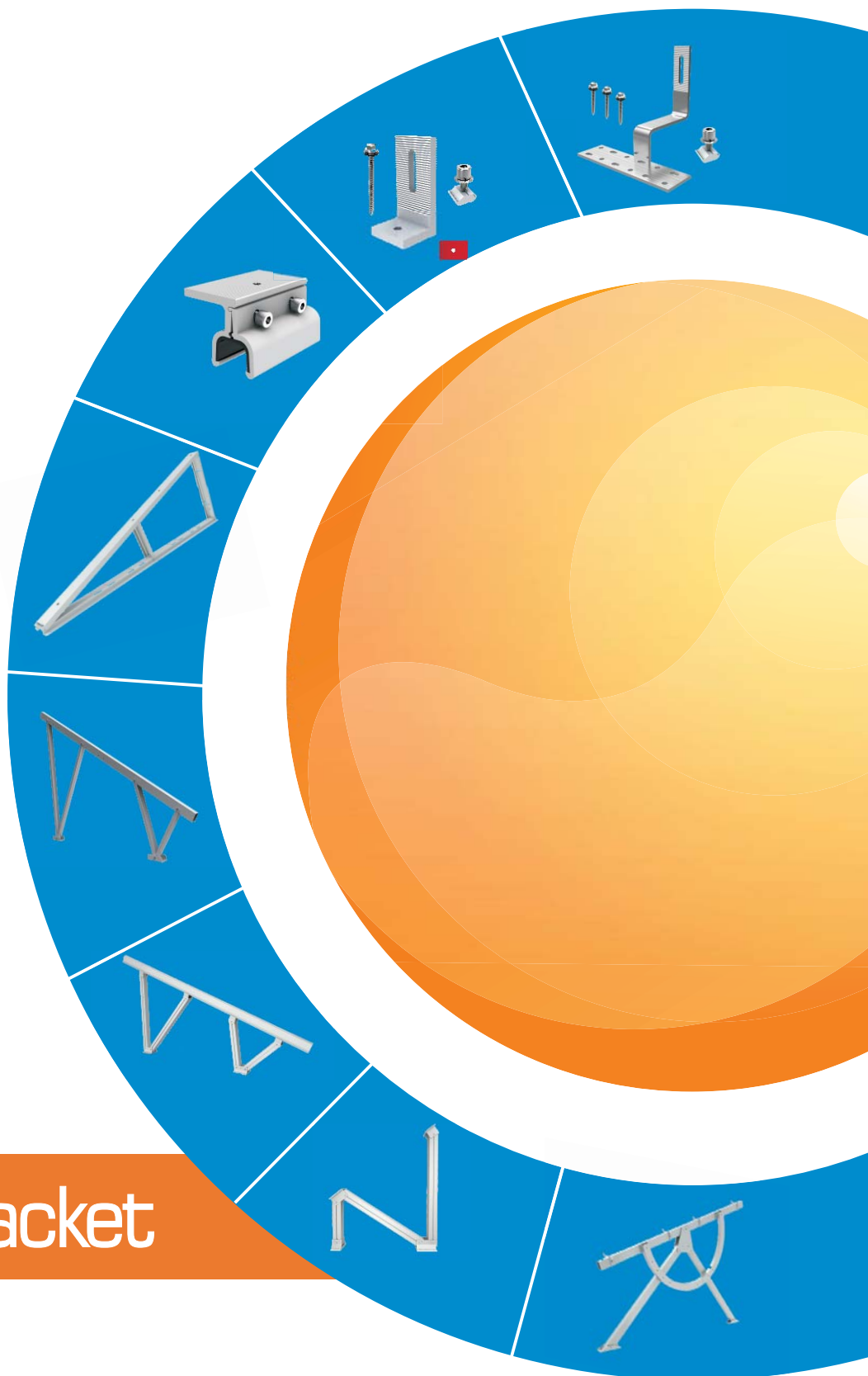


Integration Solar Solution



Mount Bracket

WORLD LEADING MANUFACTURE

COMPANY

CHIKO Solar designs and manufactures high quality solar mounting systems for pitched roof, flat roof and ground open areas. Whether for small or large-scale projects, standard models or tailor-made systems, we deliver what your need. CHIKO Solar is a leading manufacturer in solar industry. We provide design & manufacture & sales & service customers support from our headquarters in Shanghai. We are working with companies from USA, Mexico, Germany, UK, Brazil, Korea, Thailand, Australia, South Africa, Japan etc to provide best services.

We are proud of the fact that more than 1.5GW solar project from worldwide used CHIKO mounting systems.

Quality

With CHIKO, you will meet leading highest standard quality. All of our Aluminum profiles are made 6005 T5 with surface protection anodic oxidation 12-15 micron (μ), hooks and bolts are made of Stain- less steel 304. Ground mounting systems that made of Q235 steel will be hot dip galvanized with a average thickness 80 micron (μ).



European Standard

BSEN 1990: 2002+A1:2005
Eurocode-Basis of structural design.
BSEN 1991-1-3: 2003.
Eurocode 1-Actionson structure-Part 1-2:
General actions-Snow loads.
BSEN 1991-1-4:2005.
Eurocode 1: Actions on structures-Part 1-2:
General actions-Wind actions.

USA Standard

SUB2703
SUB1703

Production Certification

CHIKO Solar have obtained product certifications, and management system endorsement granted and approved by leading testing agencies including UL SGS Gamcorp MCS Intertek, SPAD etc. Our product designs are based on the following Australian Standards and sections of Building Code of Australia relevant to structural issues.



Australia Standard

AS 1170.0-2002 Structural design Actions
Part 0: General Principle.
AS 1170.2-2002 Structural design Actions
Part 2: Wind actions.
AS 3566.1-2002 Self-drilling screws for the
building and construction.
AS 3566.2-2002 Part 2: Corrosion resistance
requirements.
AS 4600-2005 Cold formed Steel structures.
ISO 3506: 1-2009 Mechanical Properties of
Corrosion-Resistance Stainless Steel Fastener.

INNOVATIVE DESIGN MAKE SIMPLE

TABLE OF—CONTENTS

TILE ROOF MOUNT BRACKET	1-5
S Tile Mount	
Adjustable Stile Mount	
Flat tile Mount	
Asphalt Shingles Mount	
Roman Tile Mount	
METAL ROOF MOUNT BRACKET	6-14
L Feet Mount	
Hanger Bolt Mount	
SS Metal Sheet Mount	
88 Style Trapezoidal Mount	
Lysaght Klip-Lok 406 & 700 Mount	
Sanding Seam Mount	
Rail-free Mount	
Adjustable Tilt Mount	
Standoff	
ROOF COMPONENTS	5-16
Rail & Rail Splice Kit	
Mid clamp & Mid clamp	
FLAT ROOF MOUNT	17-21
Ballast I-2 Flat roof Mount	
Ballast I-3 Flat roof Mount	
Ballast III Flat Roof Mount	
Ballast IV Flat Roof Mount	
Ballast V Flat Roof Mount	
Aluminium Triangular Mount	
Adjustable Steel Triangular Mount	
GROUND MOUNT	22-31
AN TYPE Aluminium Ground Mount	
AH1V & AH2V Aluminium Ground Mount	
A1V & A2V Aluminium Ground Mount	
AYV Aluminium Ground Mount	
AIV Aluminium Ground Mount	
S1V & S2V Steel Ground Mount	
SH1V Steel Ground Mount	
∑ Single Pipe Ground Mount	
Adjustable Single Pipe Ground Mount	
Adjustable Steel Ground Mount	
GROUND SCREW & ANCHOR	32-33
ACCESSORIES	34-37
Earthing Accessories	
Cable Fixed Accessories	
PV Connector	
PV Cable	
PROJECTS REFERENCE	40-42

S Tile Mount



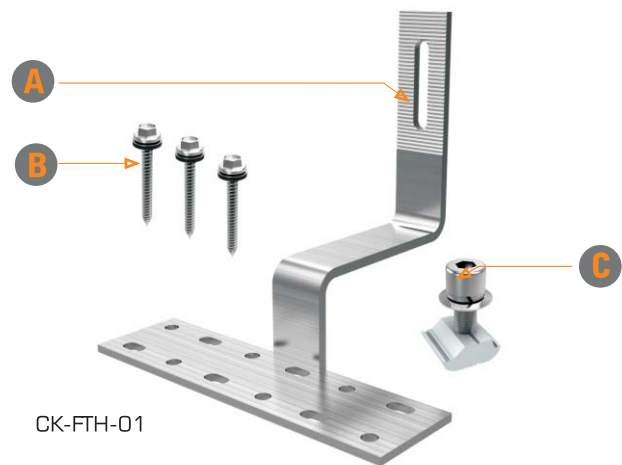
CHIKO S Tile Hook, different options offered to install on top of roof and side of roof rafter. Also, the hook can be side mount or top mount.

Features

- Enables simple, fast and cost-effective installation
- Made of SUS 304
- Highly corrosion resistant surface treatment
- Fasteners and rail nut fully configured to save extra parts purchasing

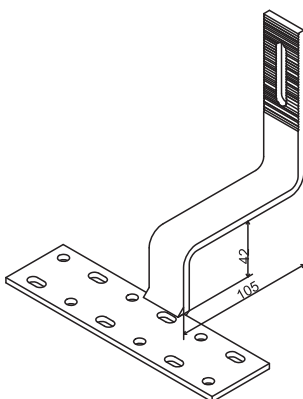
Component List

Component List	qty
(A) Stainless steel 304 hook	1
(B) 6.3x65mm wooden screw & EPDM washer	3
(C) M8x25mm SUS 304 bolt & rail nut & SUS washer	1



CK-FTH-01

Specification



S Tile Mount Series



CK-FTH-01B



CK-FTH-02



CK-FTH-03



CK-FTH-04

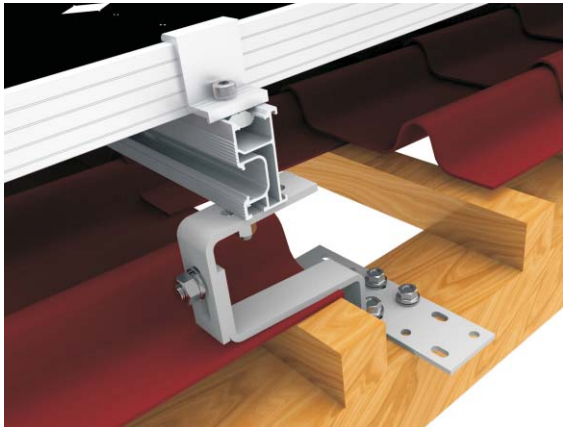


CK-FTH-031



CK-FTH-071

Adjustable S Tile Mount



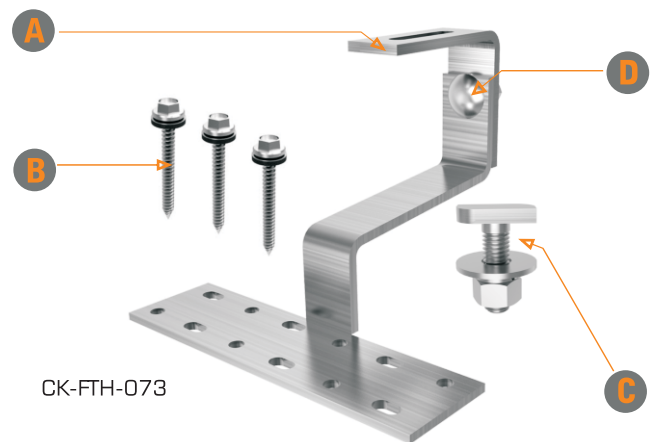
CHIKO Adjustable S Tile Hook can be adjusted horizontally and vertically, which extend the chance where regular S tile hook can't be used.

Features

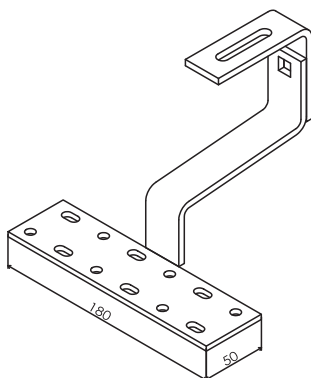
- Enables simple, fast and cost-effective installation
- Made of SUS 304
- Highly corrosion resistant surface treatment
- Fasteners and rail nut fully configured to save extra parts purchasing

Component List

Component List	qty
(A) Stainless steel 304 hook	1
(B) 6.3x65mm wooden screw & EPDM washer	3
(C) M8x25mm SUS 304 bolt & rail nut & SUS washer	1
(D) Carriage bolt M10 x 25 & hex nut	1



Specification



Adjustable S Tile Mount Series



Flat Tile Mount



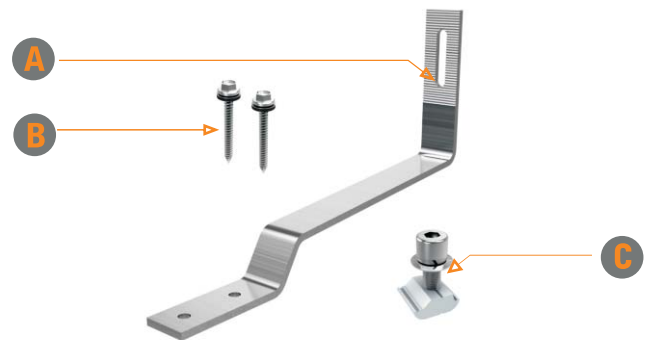
CHIKO Flat Tile hook offers the best and easiest solution when installing a solar system on Cement/Flat tile roof.

Features

- Enables simple, fast and cost-effective installation
- Made of SUS 304
- Highly corrosion resistant surface treatment
- Fasteners and rail nut fully configured to save extra parts purchasing

Component List

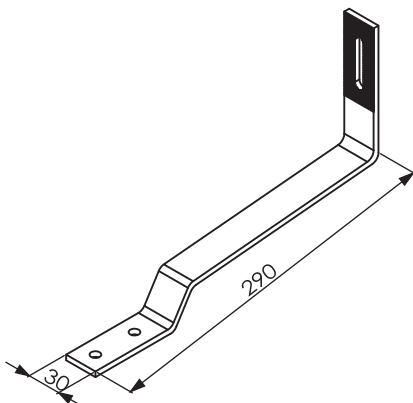
Component List	qty
(A) Stainless steel 304 hook	1
(B) 6.3x65mm wooden screw & EPDM washer	2
(C) M8x25mm SUS 304 bolt & rail nut & SUS washer	1



CK-FTH-05



Specification



Flat Tile Mount Series



CK-FTH-05B



CK-FTH-06

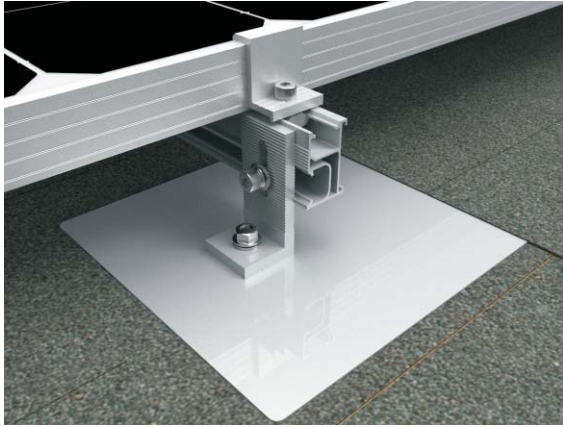


CK-FTH-062



CK-FTH-062-52

Asphalt Shingles Mount



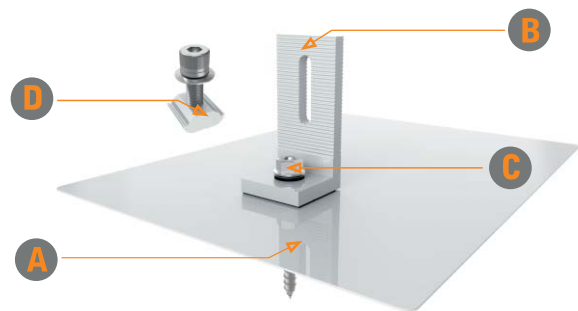
This flashing matches CHIKO L feet, supplying the best solution for Asphalt Shingles.

Features

- Flashing and L foot made of 100% aluminum
- Waterproof EPDM rubber integrated
- Enables easy, fast and cost-effective installation
- Fasteners and rail nut fully configured to save extra parts purchasing

Component List

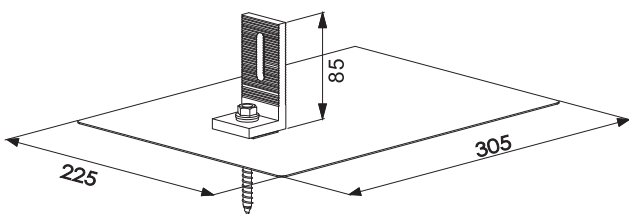
Component List	qty
(A) Aluminum flashing	1
(B) Aluminum L foot 6005-T5	1
(C) 8x80mm wooden screw & EPDM washer	1
(D) M8x25mm SUS 304 bolt & rail nut & SUS washer	1



CK-FTH-019



Specification



Asphalt Shingles Mount Series



CK-FTH-07



CK-FTH-07B



CK-FTH-010



CK-FTH-061

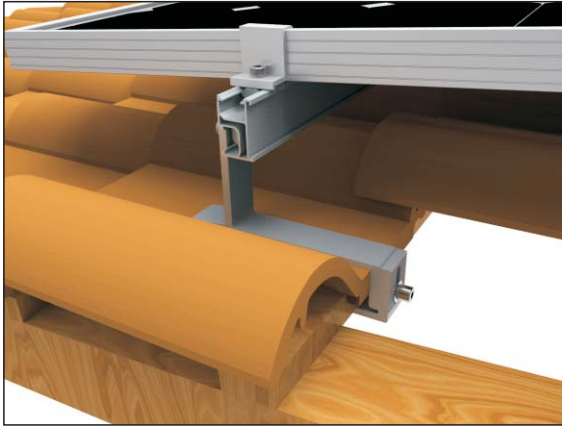


CK-FTH-061-255



CK-FTH-061V

Roman Tile Mount



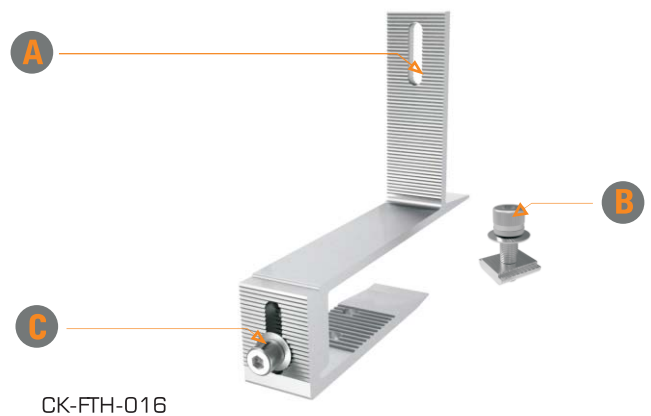
Roman Tile Mount is perfect for roman tile, concrete tile and shingle rooftops.

Features

- Enables simple, fast and cost-effective installation
- High class anodized aluminium
- Fasteners and rail nut configured to save extra parts purchasing
- Height adjustment

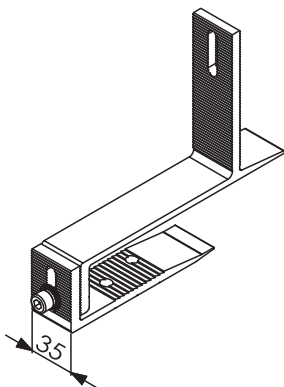
Component List

Component List	qty
(A) Aluminium hook 6005-T5	1
(B) M8 x25mm SUS 304 bolt & rail nut & SUS washer	1
(C) M8X20 SUS 304 bolt & washer	1



CK-FTH-016

Specification



Roman Tile Mount Series



CK-FTH-016A



CK-FTH-016B

L Feet Mount



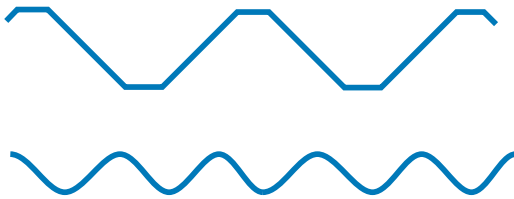
CK-FTH-013

CHIKO L feet have been widely used on universal corrugated metal sheet roof. It can fix to the roof rafter directly. Also, it can be applied with hanger bolts and CHIKO deigning roof clamps.

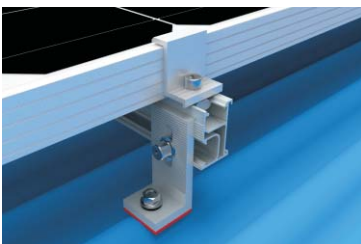
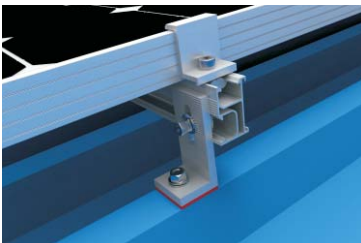
Features

- Enables simple, fast and cost-effective installation
- Al6005-T5. High class anodized aluminium
- Waterproof EPDM rubber intergrated
- Fasteners and rail nut confignated to save extra parts purchasing

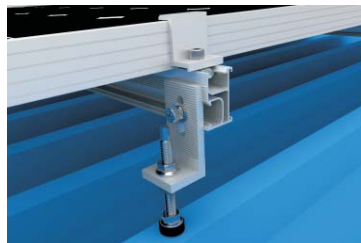
Universal for trapezoid & corrugated metal sheet:



Fix to roof directly



Apply with Hanger bolt



Apply with roof clamps



Hanger Bolt Mount

For Wooden Rafter



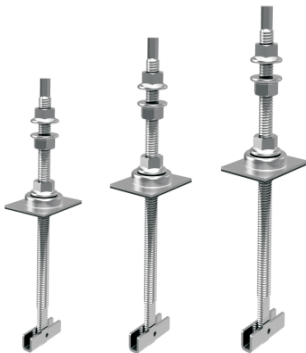
CK-FTH-M10-B200/250/300

CHIKO hanger bolt apply to install on both wooden rafter and steel purlin. Both types can be applied with L feet and plate.

Features

- Enables simple, fast and cost-effective installation
- Made of SUS 304
- Highly corrosion resistant surface treatment
- Waterproof EPDM rubber integrated
- Wooden rafter and steel purlin options

For Steel Purlin



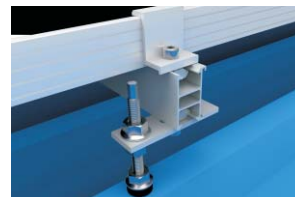
CK-FTH-M10-C120/160/200



Apply with L Feet



Apply with plate



SS Metal Sheet Mount

It supplies the best solution to lay the rail horizontally and vertically to the trapezoid metal sheet roof.

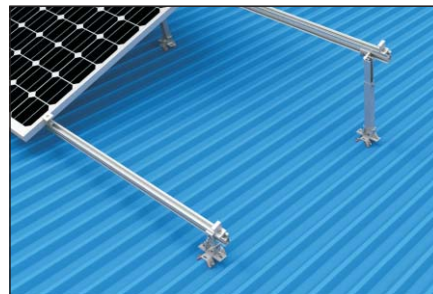
Features

- Enables simple, fast and cost-effective installation
- Made of SUS 304
- Highly corrosion resistant surface treatment
- Waterproof EPDM rubber intergration
- Fasteners and rail nut fully configured to save extra parts purchasing

Apply with tilt legs:



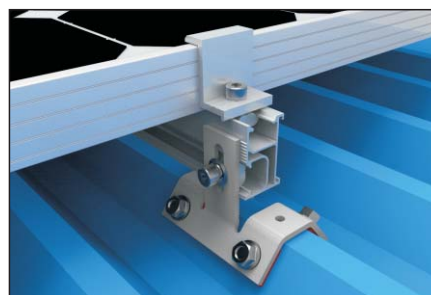
CK-FTH-022



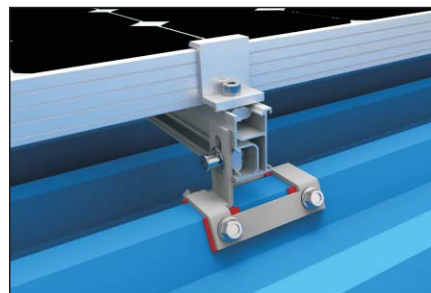
Fix rail on trapezoid metal sheet directly:



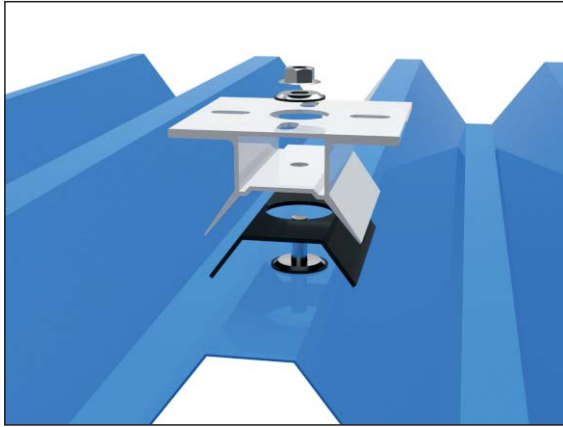
CK-FTH-011



CK-FTH-012



88 Style Trapezoidal Mount



This hook is designed for trapezoid metal sheet, fixed to the roof purlin directly, supplying a strong solution.

Features

- Enables simple, fast and cost-effective installation
- Al6005-T5. High class anodized aluminium
- Waterproof EPDM rubber intergrated
- Fasteners and rail nut fully configured to save extra parts purchasing

For trapezoid metal sheet:



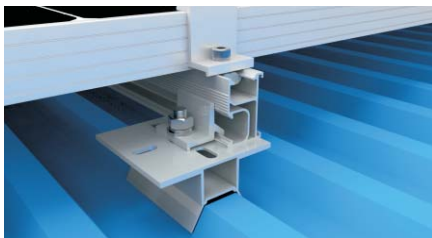
CK-FTH-025



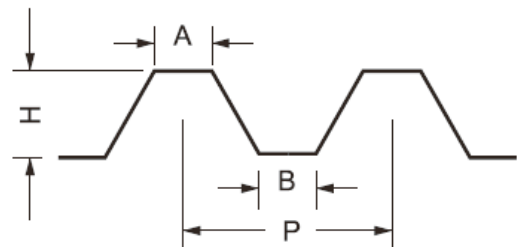
CK-FTH-027



Fix rail on trapezoidal metal sheet directly:



Apply with tilt mounting kits:



Item	H	P	A	B
CK-FTH-025	88	200	35	350
CK-FTH-027	30	300	25	250

Lysaght Kilp-lok 406 & 700 Mount



CK-FTH-TC700



CK-FTH-TC406

CHIKO 406 & 700 Clamp is designed for Lysaght kilp-lok 406 and 700 metal sheet roof. The smart design for easy and fast installation.



CK-FTH-TC700-2N



CK-FTH-TC406-2N

Features

- Enables simple, fast and cost-effective installation
- Al6005-T5. High class anodized aluminium
- Waterproof EPDM rubber integrated



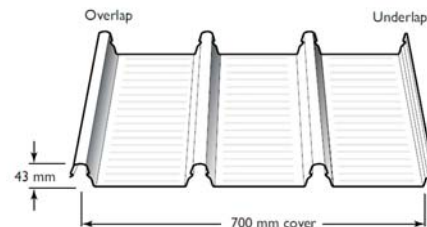
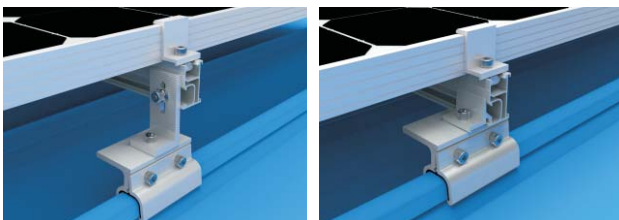
CK-FTH-TC700-3N



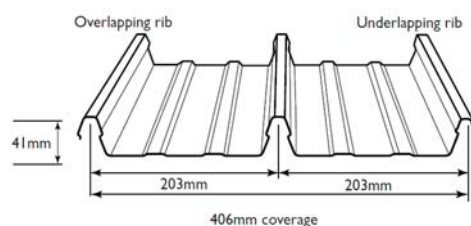
CK-FTH-TC406-3N



Flush mount



Apply with tilt leg



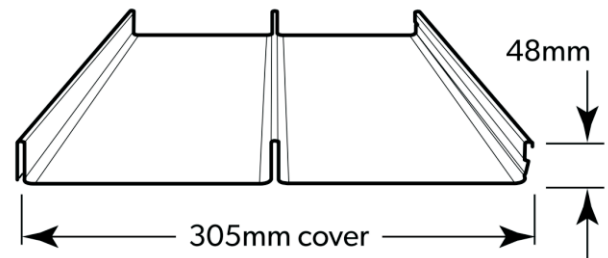
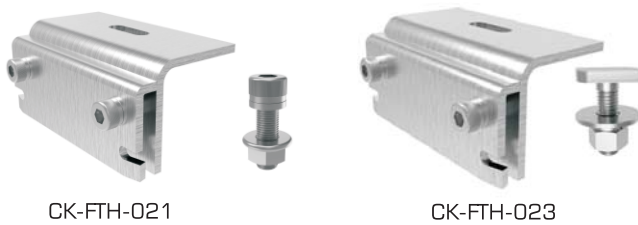
Standing Seam Mount

CHIKO Stainless steel clamps is designed for standing seam metal sheet, provides a non-penetration solution.

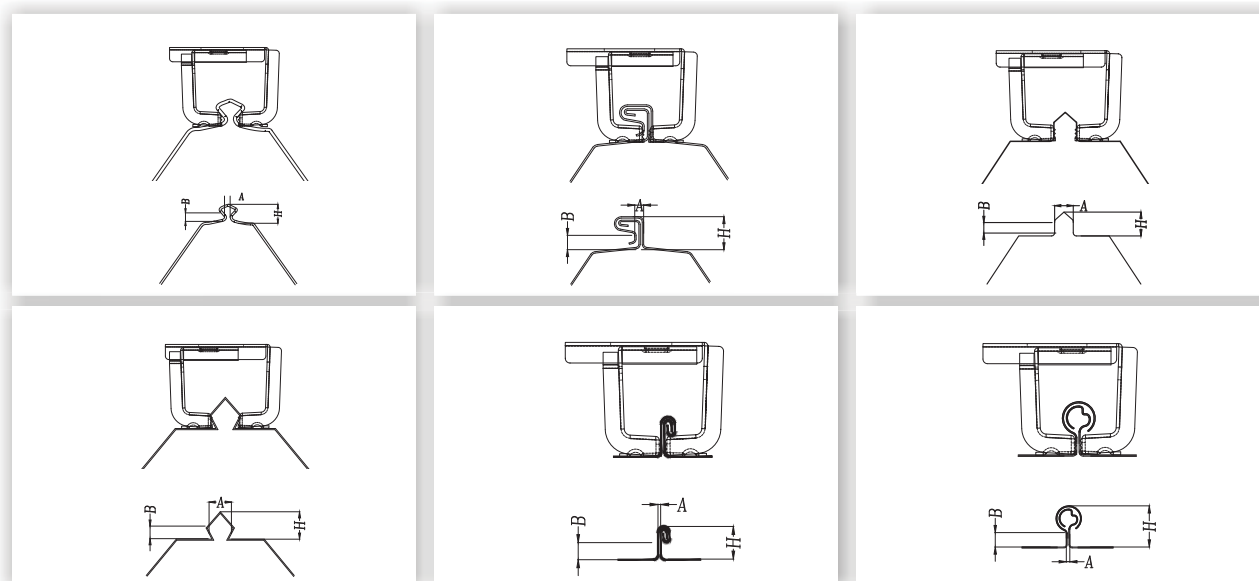
Features

- Enables simple, fast and cost-effective installation
- Made of SUS 304
- Highly corrosion resistant surface treatment
- Fasteners and rail nut fully configured to save extra parts purchasing

Longline 305 clamp:



Universal standing seam roof clamp:



Rail-free Mount

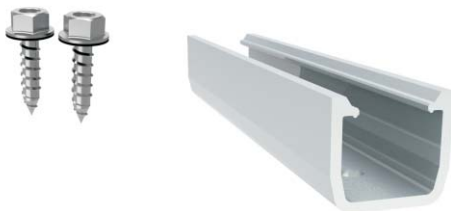
CHIKO rail free mount is designed for any type of trapezoid and corrugated metal sheet roof.

Features

- Enables simple, fast and cost-effective installation
- Al6005-T5. High class anodized aluminium
- Waterproof EPDM rubber pad, no need extra rail
- Rail free, cost-effective solution



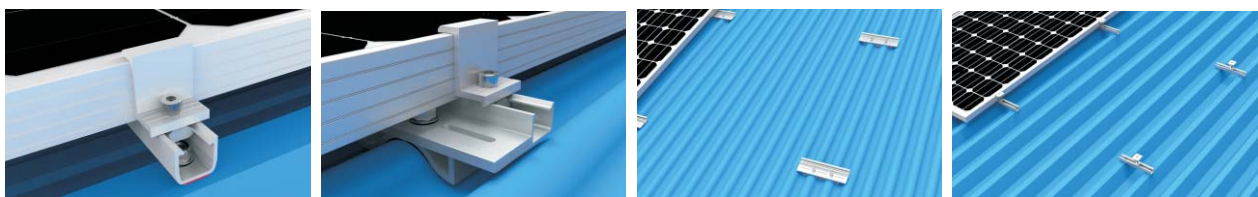
CK-FTH-026



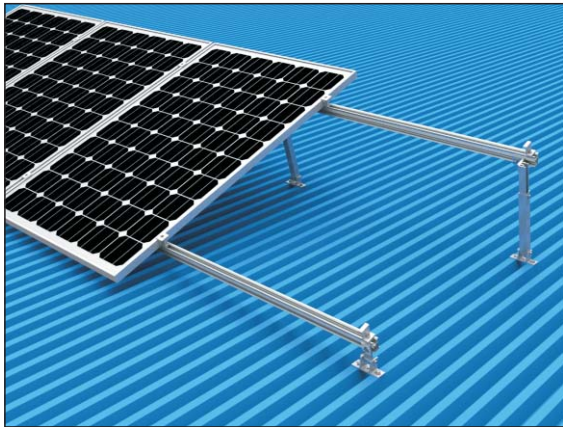
CK-FTH-027



Installation



Adjustable Tilt Mount



Adjustable Tilt Mount is deigned to make system tilt.

Features

- Enables simple, fast and cost-effective installation
- Al6005-T5. High class anodized aluminium
- Waterproof EPDM rubber integrated
- Fasteners and rail nut fully configured to save extra parts purchasing



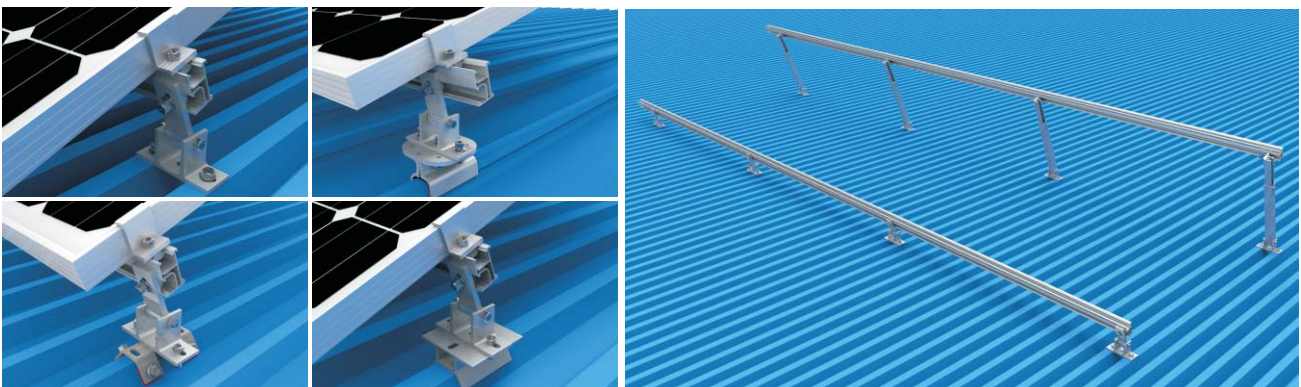
CK-FTA-FL



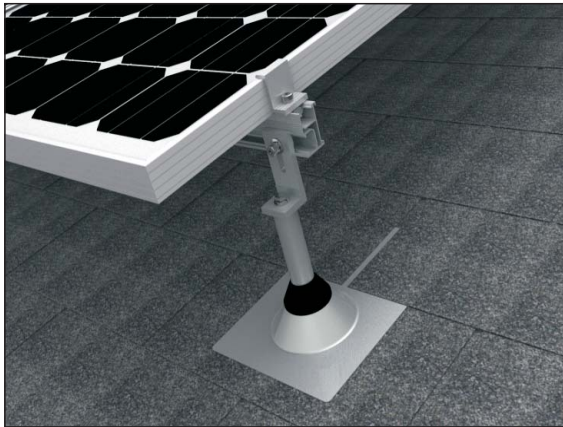
CK-FTA-BL200/340/500



Application



Stand off



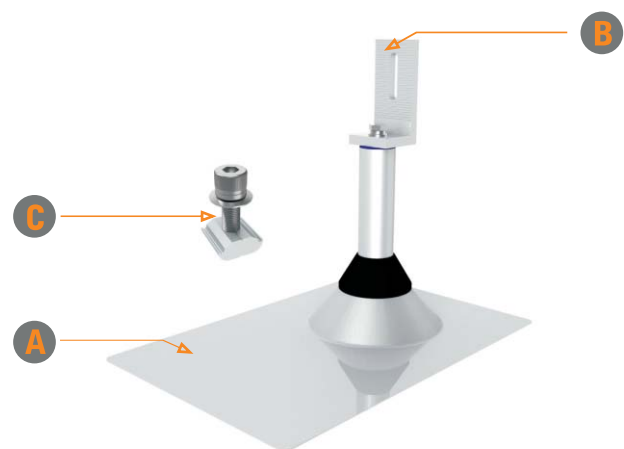
The aluminum standoff can be used on any type of roof.

Features

- Enables easy, fast and cost-effective installation
- Waterproof EPDM rubber integrated
- Fully fasteners and rail connector configured to save extra parts purchasing.

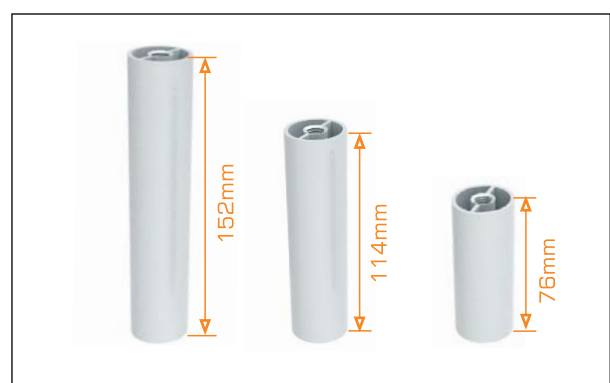
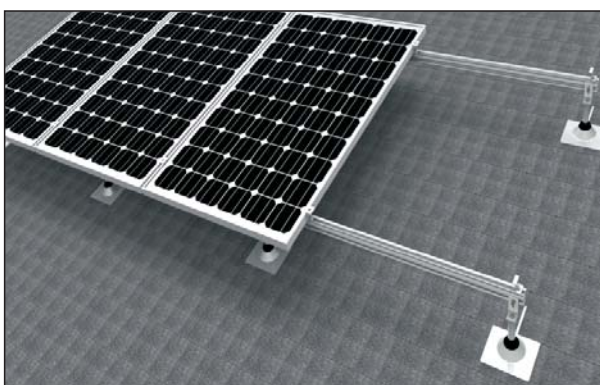
Component List

Component List	qty
(A) Aluminum flashing	1
(B) 6005-T5 aluminum leg	1
(C) M8 x25mm SUS 304 bolt & rail nut & SUS washer	1



CK-FTH-020

Installation



Rail & Splice for roof

CHIKO rail is designed for tile roof and tin roof. It comes with high quality, high strength and low cost.

Features






- Al6005-T5. High class anodized aluminium
- Enables simple, fast and cost-effective installation
- Universal



Nature Color

<p>6R</p> 	<p>6R rail splice kit</p> 
<p>7R</p> 	<p>7R & 8R rail splice kit</p> 
<p>8R</p> 	

Black Color

<p>6R-B</p> 	<p>6R-B rail splice kit</p> 
<p>7R-B</p> 	<p>7R-B & 8R-B rail splice kit</p> 
<p>8R-B</p> 	



Mid Clamp & End Clamp

Mid clamp:
30/33/35/38/40/45/50mm



End clamp:
30/33/35/38/40/45/50mm



Black mid clamp:
30/33/35/38/40/45/50mm



Black end clamp:
30/33/35/38/40/45/50mm



Adjustable mid clamp:
30/34/38/42mm



Adjustable end clamp:
30/34/38/42mm



Adjustable mid clamp:
35/40/45/50mm



Adjustable end clamp:
35/40/45/50mm



Thin film mid clamp:
7mm/9mm



Thin film end clamp:
7mm/9mm



Ballast I-2 Flat Roof Mount

Chikosolar Ballast I systems, a series and universal mounting system to service on virtually any commercial Flat Roofs. The system designed to providing the durability and flexibility solutions that quick to install, light on the roof and easy to ship.



Features

- Material: Aluminum 6005-T5, Stainless Steel 304
- Tilt Inclination: 15°, 20°, 30°
- Module Orientation: Landscape
- Max Wind Load: 60m/s
- Pre-assembled and folded ballast console



Main Components:

Ballast Console BTI-2



Module Mid Clamp



Module End Clamp



End Plate



Ballast Profile - Concret Carrier



Ballast Profile



Concret Block

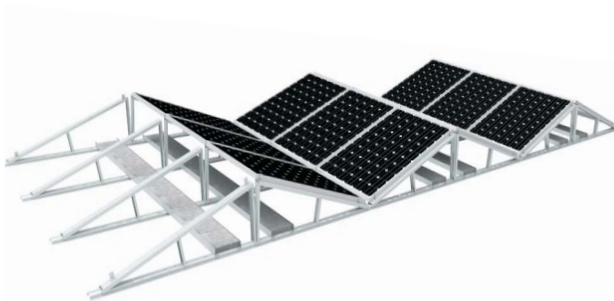


Rear Plate



Ballast I-3 Flat Roof Mount

Chiko Ballast I-3 with the extensive flexibility to provide the commonness with 1 module portrait and 2 modules landscape installation at same console. It's more comfortable for the configuration, easy to stock and reducing system costs.



Features

- Material: Aluminum 6005-T5, Stainless Steel 304
- Tilt Inclination: 15°, 20°, 30°
- Module Orientation: Landscape & Portrait
- Max Wind Load: 60m/s
- Pre-assembled and folded ballast console



Main Components:

Ballast Console BTI-3



Module Mid Clamp



Module End Clamp



End Plate



Ballast Profile - Concret Carrier



Ballast Profile



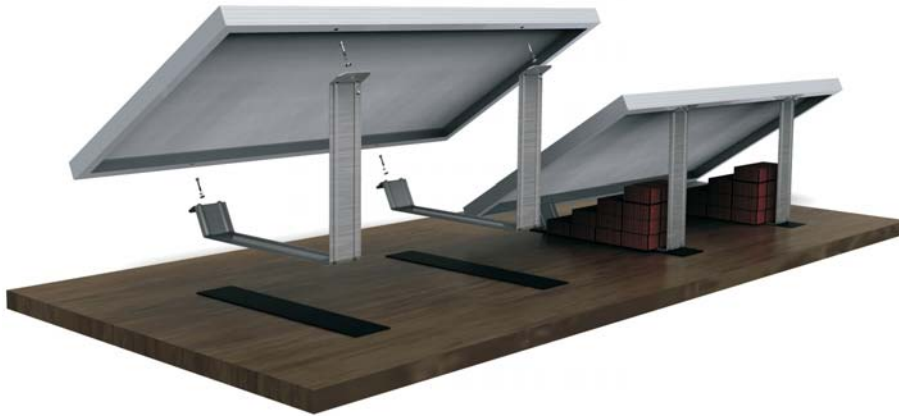
Concret Blocks



Rear Plate



Ballast III Flat Roof Mount



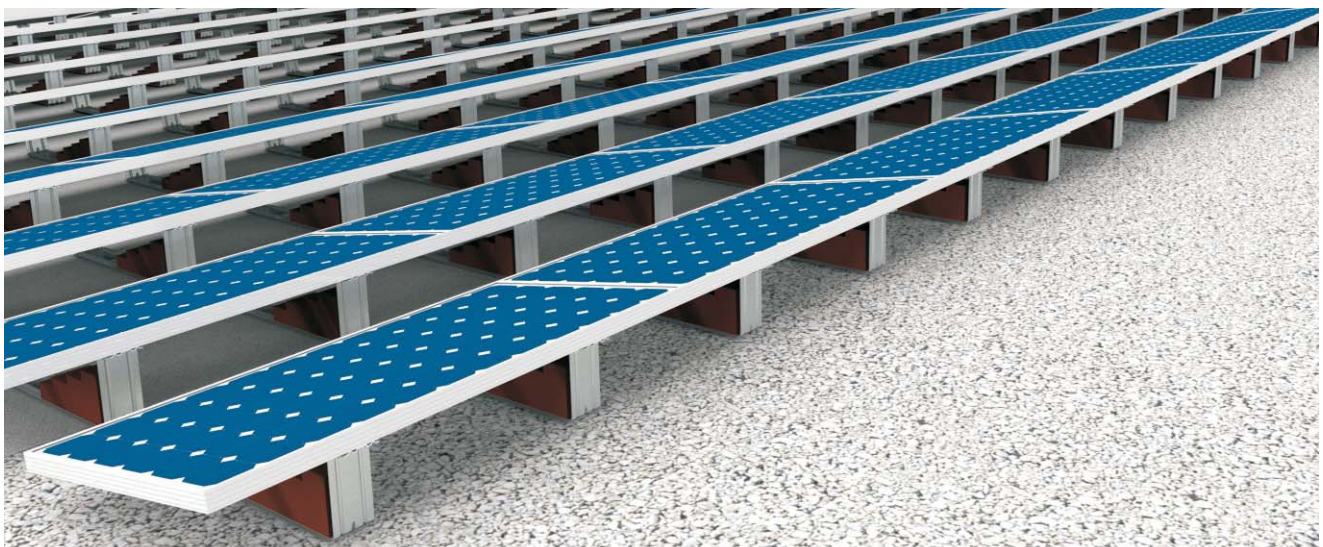
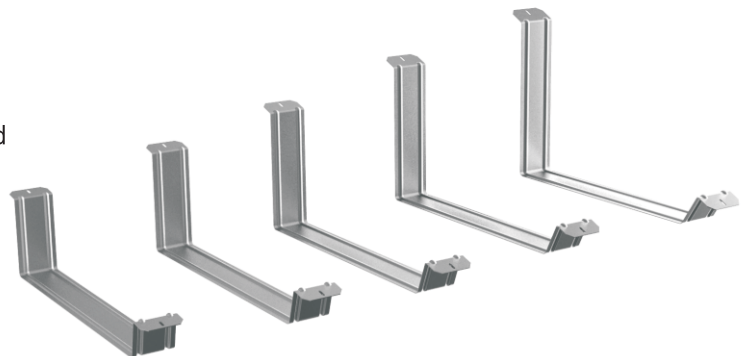
Product Advantage

- Easy installation
- Cost saving
- Light weight



Features

- Application: Commercial & residential
- Max Wind load: 60m/s
- PV Module Width: 808mm to 1000mm Framed
- Module Orientation: Landscape
- Fixed Tilt Angle: 15°, 20°, 30°
- Material: Aluminium



Ballast IV Flat Roof Mount



Product Advantage

- Easy installation
- Cost saving
- West to east installation
- Low ballast required
- No roof penetration

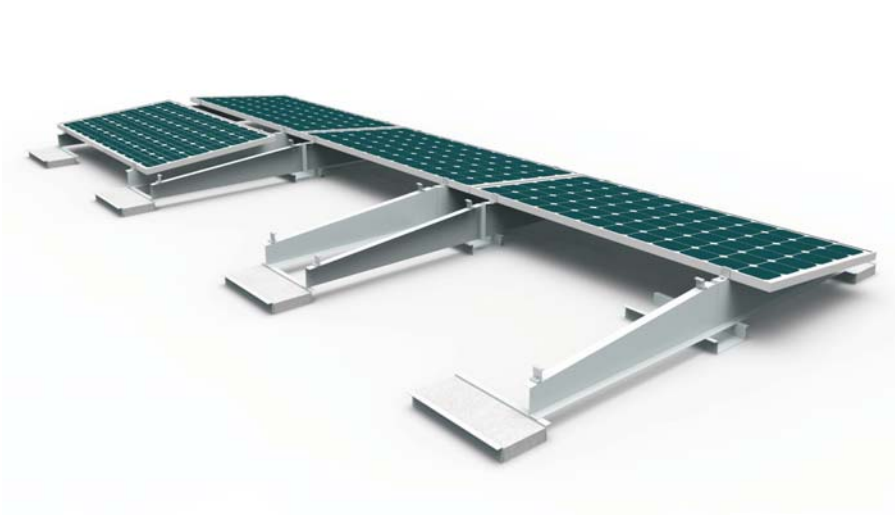


Features

- Application: Commercial & residential
- Max Wind load: 60m/s
- PV Module: Framed and unframed
- Module Orientation: Landscape
- Fixed Tilt Angle: 5 ° to 10 °
- Material: Aluminium or steel



Ballast V Flat Roof Mount



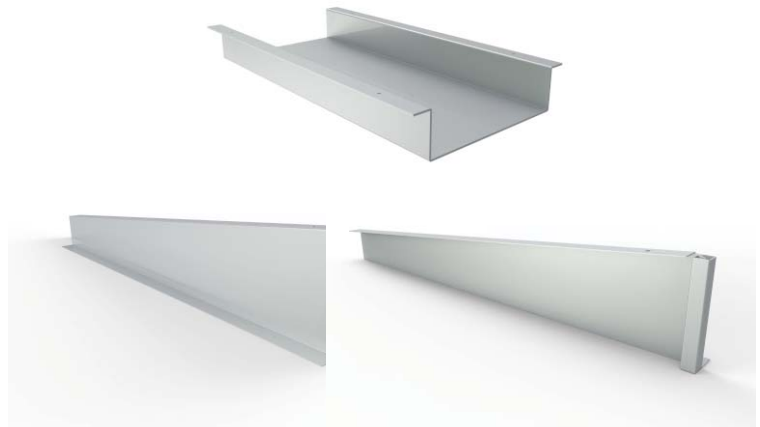
Product Advantage

- Easy installation
- Cost saving
- West to east installation
- Low ballast required
- No roof penetration



Features

- Application: Commercial & residential
- Max Wind Load: 60m/s
- PV Module: Framed and unframed
- Module Orientation: Landscape
- Fixed Tilt Angle: 5 ° to 10 °
- Material: Aluminium or steel



Aluminium Triangular Mount



Product Advantage

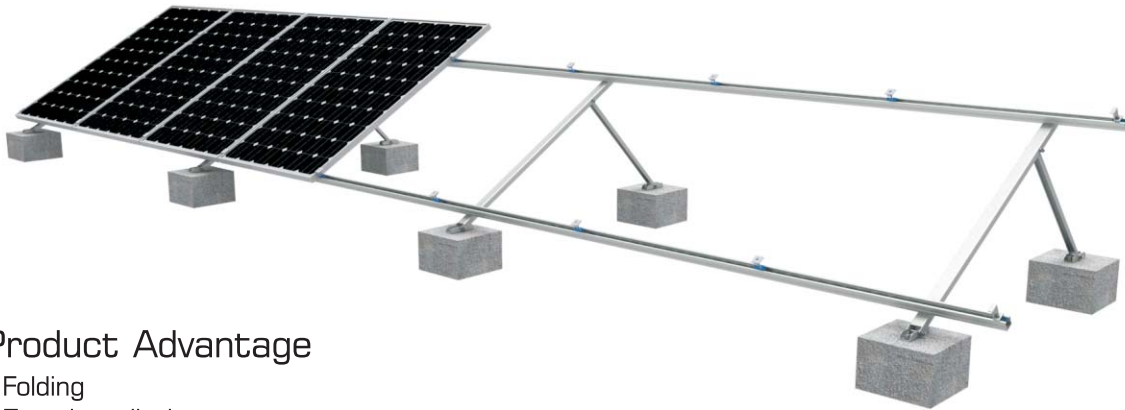
- Folding
- Easy installation
- Light weight
- Cost-effective

Features

- Application: Commercial & residential
- Max wind load: 60m/s
- PV module: Framed or unframed
- Module orientation: Portrait
- Fixed tilt angle: 15°, 20°, 30°
- Material: Anodized aluminium 6005-T5



Adjustable Steel Triangular Mount

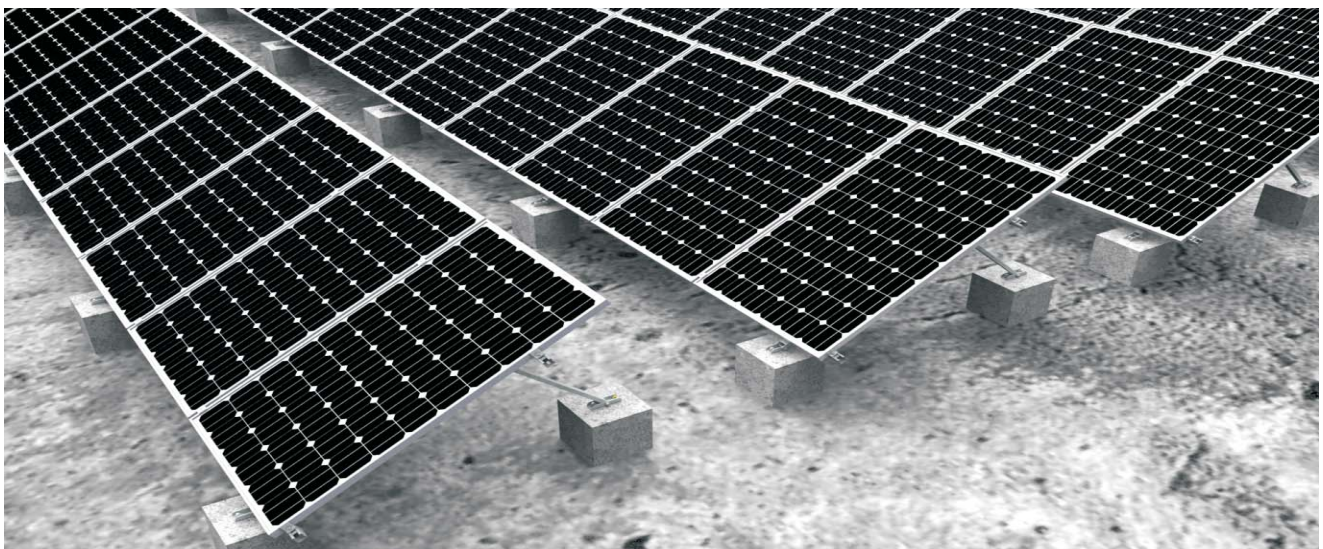


Product Advantage

- Folding
- Easy installation
- Angle adjustable
- Cost-effective

Features

- Application: Commercial & residential
- Max wind load: 60m/s
- PV module: Framed or unframed
- Module orientation: Portrait
- Mounting angle: 20 °to 45 ° adjustable
- Material: Hot galvanized steel Q235B



AN TYPE Aluminum Ground Mount



Advantages

- Easy installation
- Safety and reliability
- Cost saving
- Artistic style
- High class anodized

Technical Data

- Installation site: Open field ground mount
- Foundation: Ground screw foundation & Concrete foundation
- Mount tilt angle: 0-45 Degree
- Wind velocity: Up to 60m/s
- Snow load: Up to 1.4KN/M2
- Main component: AL6005-T5
- Accessories: SUS 304 screws
- Duration: More than 30 years



Main Components:

N-Rack	Rail15	Rail 19	Rail splice
Rail fastening block	End-clamp	Mid-clamp	Rail cap

AH1V & AH2V Aluminum Ground Mount

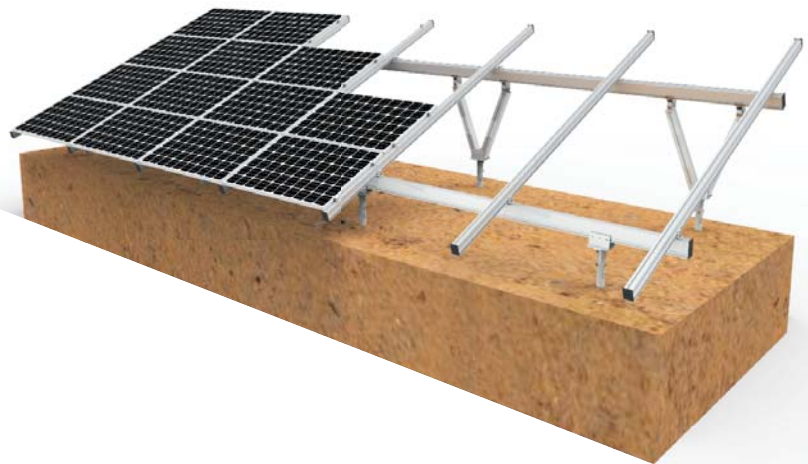


Advantages

- Easy installation
- Safety and reliability
- Cost saving
- Artistic style
- High class anodized

Technical Data

- Installation site: Open field ground mount
- Foundation: Ground screw foundation & Concrete foundation
- Mount tilt angle: 0-45 Degree
- Wind velocity: Up to 60m/s
- Snow load: Up to 1.4KN/M2
- Main component: AL6005-T5
- Accessories: SUS 304 screws
- Duration: More than 30 years



Main Components:

H2V-Rack(front)



H2V-Rack(back)



Rail 19



Rail splice



Rail fastening block



End-clamp



Mid-clamp



Rail cap



A1V & A2V Aluminum Ground Mount

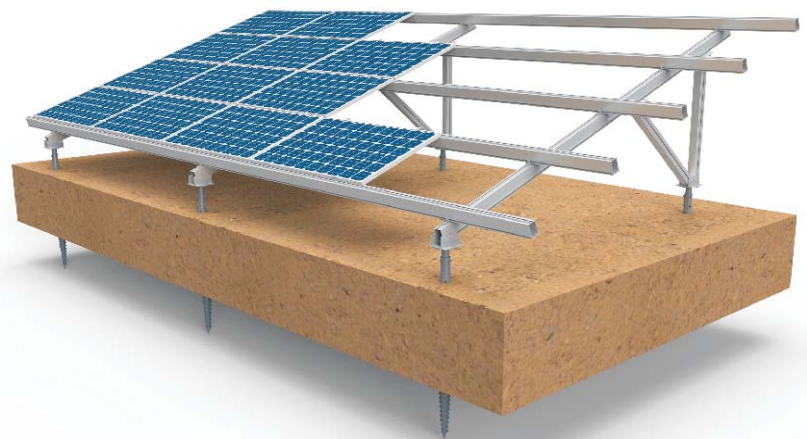


Advantages

- Easy installation
- Safety and reliability
- Cost saving
- Artistic style
- High class anodized

Technical Data

- Installation site: Open field ground mount
- Foundation: Ground screw foundation & Concrete foundation
- Mount tilt angle: 0-45 Degree
- Wind velocity: Up to 60m/s
- Snow load: Up to 1.4KN/M2
- Main component: AL6005-T5
- Accessories: SUS 304 screws
- Duration: More than 30 years



Main Components:

1V-Rack



2V-Rack



Rail 19



Rail splice



Rail fastening block



End-clamp



Mid-clamp



Rail cap



AYV Aluminum Ground Mount



Advantages









- Easy installation
- Safety and reliability
- Cost saving
- Artistic style
- High class anodized

Technical Data

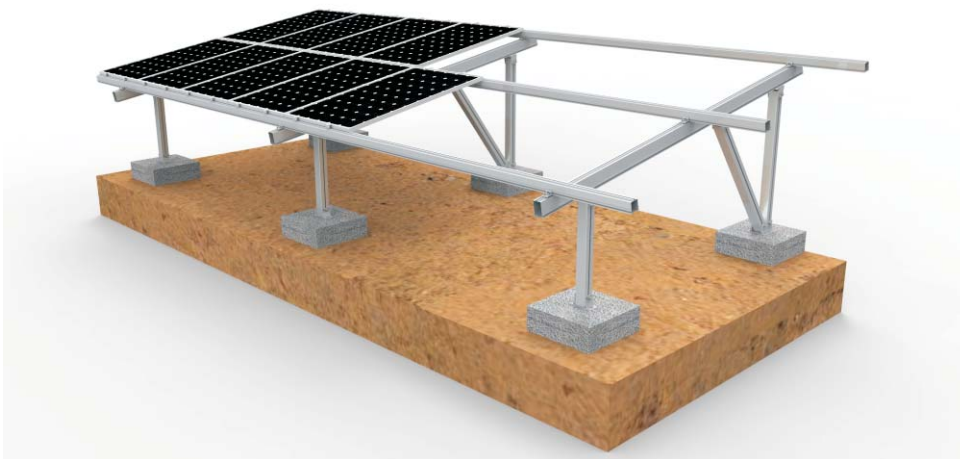
- Installation site: Open field ground mount
- Foundation: Ground screw foundation & Concrete foundation
- Mount tilt angle: 0-45 Degree
- Wind velocity: Up to 60m/s
- Snow load: Up to 1.4KN/M2
- Main component: AL6005-T5
- Accessories: SUS 304 screws
- Duration: More than 30 years



Main Components:

Y-Rack	Ground screw	Rail 19	Rail splice
			
Rail fastening block	End-clamp	Mid-clamp	Rail cap
			

AIV Aluminum Ground Mount

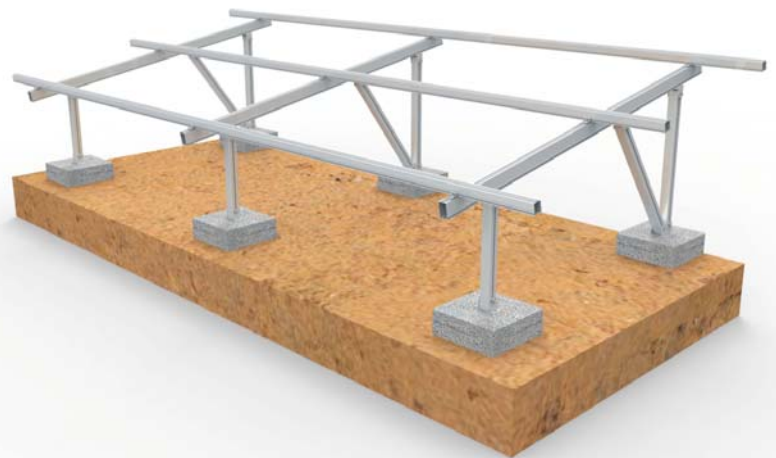


Advantages




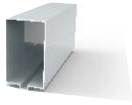




- Easy installation
- Safety and reliability
- Cost saving
- Artistic style
- High class anodized

Technical Data

- Installation site: Open field ground mount
- Foundation: Ground screw foundation & Concrete foundation
- Mount tilt angle: 0-45 Degree
- Wind velocity: Up to 60m/s
- Snow load: Up to 1.4KN/M2
- Main component: AL6005-T5
- Accessories: SUS 304 screws
- Duration: More than 30 years



Main Components:

IV-Rack	Ground screw	Rail 19	Rail splice
			
Rail fastening block	End-clamp	Mid-clamp	Rail cap
			

S1V & S2V Steel Ground Mount



Advantages

- Easy installation
- Safety and reliability
- Cost saving
- Anti-corrosion and anti-rust

Technical Data

- Installation site: Open field ground mount
- Foundation: Ground foundation
- Mount tilt angle: 15/25/30/35 Degree
- Wind velocity: Up to 60m/s
- Snow load: Up to 1.4KN/M2
- Main component: Q235B
High class hot galvanized (80μ)
- Accessories: Zinc coating bolts
- Duration: More than 30 years



Main Components:

1V-Rack



2V-Rack



Rail C62



Rail C41



C62-Fix kit



C41-Fix kit



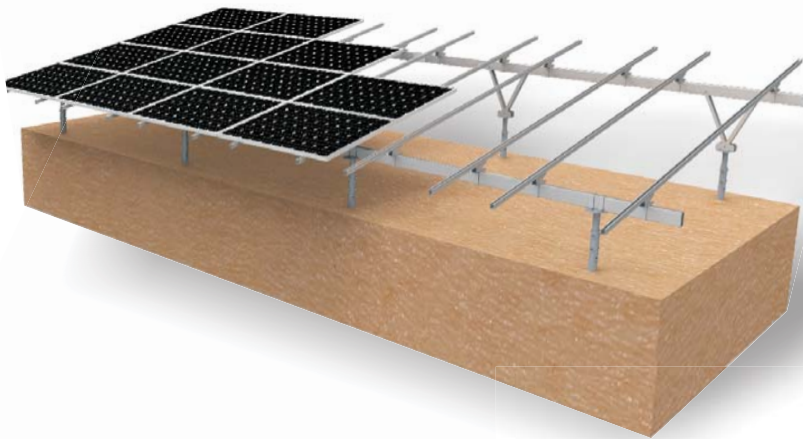
Ground screw



Rail cap



SH1V Steel Ground Mount

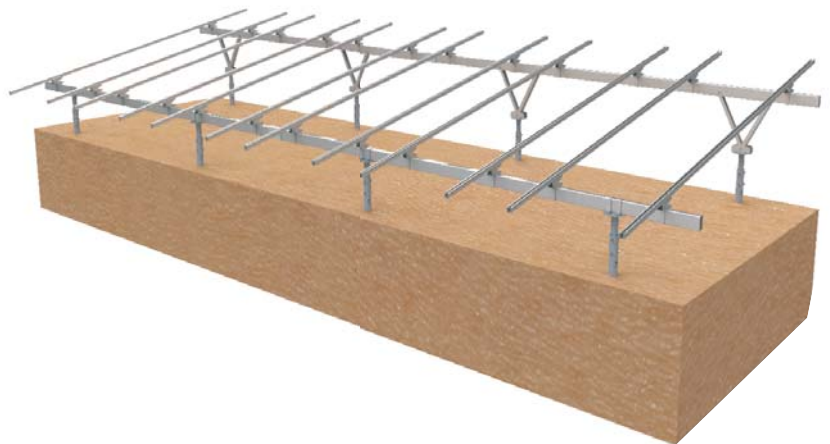


Advantages

- Easy installation
- Safety and reliability
- Cost saving
- Anti-corrosion and anti-rust

Technical Data

- Installation site: Open field ground mount
- Foundation: Ground screw foundation & Concrete foundation
- Mount tilt angle: 0-45 Degree
- Wind velocity: Up to 60m/s
- Snow load: Up to 1.4KN/M2
- Main component: Q235B High class hot galvanized (80μ)
- Accessories: Zinc coating bolts
- Duration: More than 30 years



Main Components:

H1V-Rack



Mid-clamp



Rail C62



End-clamp



Pipe fix kit



Pipe fastening kit



Ground screw



Rail cap



Σ Single Pipe Ground Mount



Advantages

- Easy installation
- Safety and reliability
- Cost saving
- Anti-corrosion and anti-rust

Technical Data

- Installation site: Open field ground mount
- Foundation: Ground screw foundation & Concrete foundation
- Mount tilt angle: 0-45 Degree
- Wind velocity: Up to 60m/s
- Snow load: Up to 1.4KN/M2
- Main component: Q235B High class hot galvanized (80μ)
- Accessories: Zinc coating bolts
- Duration: More than 30 years



Main Components:

P-Rack



Rail C62



Supporting pile



Rail splice



C62-Fix kit



Mid-clamp



End-clamp



Rail cap



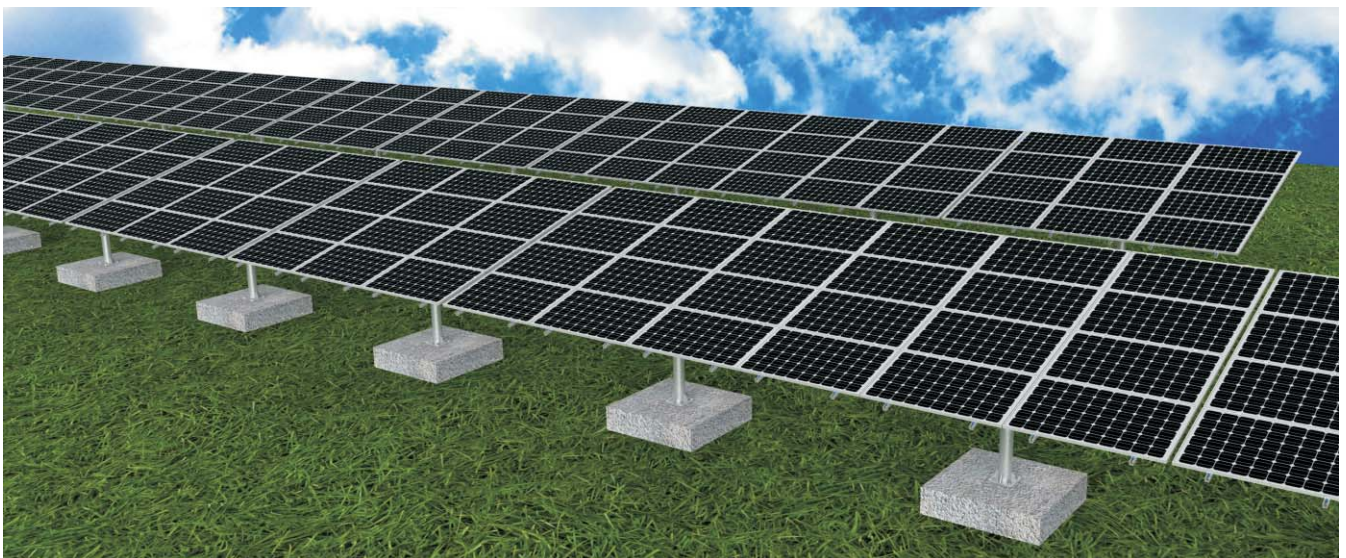
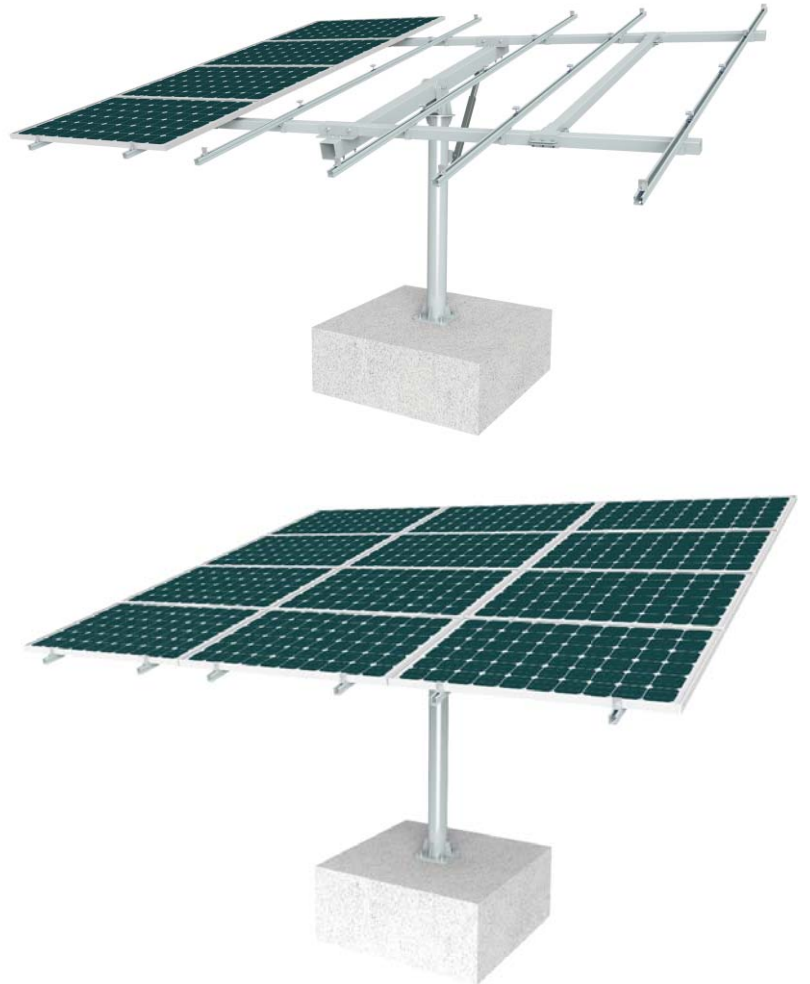
Adjustable Single Pile Ground Mount

Advantages

- Easy installation
- Safety and reliability
- Cost saving
- Anti-corrosion and anti-rust

Technical Data

- Installation site: Open field ground mount
- Foundation: Concrete foundtaion
- Mount tilt angle: 0-45 Degree
- Wind velocity: Up to 60m/s
- Snow load: Up to 1.4KN/M2
- Main component: Q235B High class hot galvanized (80μ)
- Accessories: Zinc coating bolts
- Duration: More than 30 years



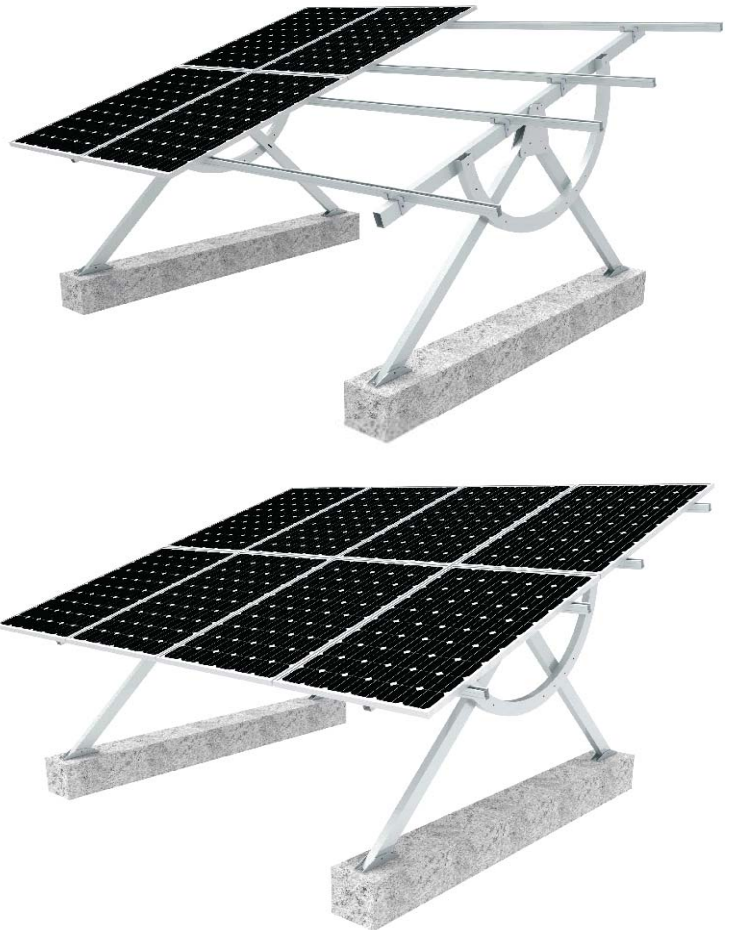
Adjustable Steel Ground Mount

Advantages

- Easy installation
- Safety and reliability
- Extension flexibility
- Anti-corrosion and anti-rust

Technical Data

- Installation site: Open field ground mount
- Foundation: Ground screw foundation & Concrete foundation
- Mount tilt angle: -45 to +45 Degree
- Wind velocity: Up to 60m/s
- Snow load: Up to 1.4KN/M2
- Main component: Q235B High class hot galvanized (80 μ)
- Accessories: Zinc coating bolts
- Duration: More than 30 years



Ground screw type I with flange I

- Material steel Q235B
- High class hot galvanized 80 μ

Item No.	Diameter (mm)	Length(mm)	Thickness(mm)
CK-GS-F1-1200-3.0T	76	1200	3.0
CK-GS-F1-1600-3.0T	76	1600	3.0
CK-GS-F1-2000-3.0T	76	2000	3.0
CK-GS-F1-2500-3.0T	76	2500	3.0
CK-GS-F1-1200-3.5T	76	1200	3.5
CK-GS-F1-1600-3.5T	76	1600	3.5
CK-GS-F1-2000-3.5T	76	2000	3.5
CK-GS-F1-2500-3.5T	76	2500	3.5

Ground screw type I with flange II

- Material steel Q235B
- High class hot galvanized 80 μ

Item No.	Diameter (mm)	Length(mm)	Thickness(mm)
CK-GS-F2-1200-3.0T	76	1200	3.0
CK-GS-F2-1600-3.0T	76	1600	3.0
CK-GS-F2-2000-3.0T	76	2000	3.0
CK-GS-F2-2500-3.0T	76	2500	3.0
CK-GS-F2-1200-3.5T	76	1200	3.5
CK-GS-F2-1600-3.5T	76	1600	3.5
CK-GS-F2-2000-3.5T	76	2000	3.5
CK-GS-F2-2500-3.5T	76	2500	3.5

Ground screw type II with flange I

- Material steel Q235B
- High class hot galvanized 80 μ

Item No.	Diameter(mm)	Length(mm)	Thickness(mm)
CK-GSY-76F1-24-1200-3.0T	76	1200	3.0
CK-GSY-76F1-24-1600-3.0T	76	1600	3.0
CK-GSY-76F1-24-2000-3.0T	76	2000	3.0
CK-GSY-76F1-24-2500-3.0T	76	2500	3.0
CK-GSY-76F1-24-1200-3.5T	76	1200	3.5
CK-GSY-76F1-24-1600-3.5T	76	1600	3.5
CK-GSY-76F1-24-2000-3.5T	76	2000	3.5
CK-GSY-76F1-24-2500-3.5T	76	2500	3.5

Ground screw type II with flange II

- Material steel Q235B
- High class hot galvanized 80 μ

Item No.	Diameter(mm)	Length(mm)	Thickness(mm)
CK-GSY-76F2-24-1200-3.0T	76	1200	3.0
CK-GSY-76F2-24-1600-3.0T	76	1600	3.0
CK-GSY-76F2-24-2000-3.0T	76	2000	3.0
CK-GSY-76F2-24-2500-3.0T	76	2500	3.0
CK-GSY-76F2-24-1200-3.5T	76	1200	3.5
CK-GSY-76F2-24-1600-3.5T	76	1600	3.5
CK-GSY-76F2-24-2000-3.5T	76	2000	3.5
CK-GSY-76F2-24-2500-3.5T	76	2500	3.5



Adjustable ground screw type I without flange

- Material steel Q235B
- High class hot galvanized 80 μ

Item No.	Diameter(mm)	Length(mm)	Thickness(mm)
CK-GST-76N-1200-3.0T	76	1200	3.0
CK-GST-76N-1600-3.0T	76	1600	3.0
CK-GST-76N-2000-3.0T	76	2000	3.0
CK-GST-76N-2500-3.0T	76	2500	3.0
CK-GST-76N-1200-3.5T	76	1200	3.5
CK-GST-76N-1600-3.5T	76	1600	3.5
CK-GST-76N-2000-3.5T	76	2000	3.5
CK-GST-76N-2500-3.5T	76	2500	3.5



Adjustable ground screw type II without flange

- Material steel Q235B
- High class hot galvanized 80 μ

Item No.	Diameter(mm)	Length(mm)	Thickness(mm)
CK-GSYT-76N-1200-3.0T	76	1200	3.0
CK-GSYT-76N-1600-3.0T	76	1600	3.0
CK-GSYT-76N-2000-3.0T	76	2000	3.0
CK-GSYT-76N-2500-3.0T	76	2500	3.0
CK-GSYT-76N-1200-3.5T	76	1200	3.5
CK-GSYT-76N-1600-3.5T	76	1600	3.5
CK-GSYT-76N-2000-3.5T	76	2000	3.5
CK-GSYT-76N-2500-3.5T	76	2500	3.5



Adjustable ground screw flange I

- Material steel Q235B
- High class hot galvanized 80 μ

Item No.	Diameter(mm)	Length(mm)	Thickness(mm)
CK-AFP-76F1-500-3.0T	200	500	3.0
CK-AFP-76F1-800-3.5T	200	800	3.5



Adjustable ground screw flange II

- Material steel Q235B
- High class hot galvanized 80 μ

Item No.	Diameter(mm)	Length(mm)	Thickness(mm)
CK-AFP-76F2-500-3.0T	200	500	3.0
CK-AFP-76F2-800-3.5T	200	800	3.5



Anchor foundation

- Material steel Q235B
- High class hot galvanized 80 μ

Item No.	Description
CK-NK-03	Anchor foundation with 3 pipes
CK-NK-06	Anchor foundation with 9 pipes
CK-NK-12	Anchor foundation with 12 pipes



Earthing Accessories

This product is designed to bond solar PV modules to mounting structures and create an electrical path to ground.

Earthing Clip

		CK-GTC-R3 A CHIKO Grounding Clip (Open 8.5mm)
		CK-GTC-R3B CHIKO Grounding Clip (Closed 8.5mm)
		CK-GTC-R3C CHIKO Grounding Clip (Open 12mm)
		CK-GTC-R3D CHIKO Grounding Clip with Gear (closed 8.5mm)
		CK-GTC-R3E CHIKO Grounding Clip for Adjustable Mid Clamp (Open 8.5mm)
		CK-GTC-R3F CHIKO Grounding Clip Closed 8.5mm for grounding lug
		CK-GTC-R1 CHIKO bonding jumper
		CK-GTC-R1B CHIKO bonding jumper in rail splice kit
		CK-GTC-R2 CHIKO grounding mounting
		CK-FSC-ECP01-205 CHIKO bonding jumper between panel



Cable Fixed Accessories

Cable clip



CK-FSC-CP1 Solar cable clips 2.5 Hold one or two 2.5m² solar cable
 CK-FSC-CP2 Solar cable clips 4.0 Hold one or two 4.0m² solar cable
 CK-FSC-CP3 Solar cable clips 6.0 Hold one or two 6.0m² solar cable

- Package 8000 PCS/CTN
- Suit all solar modules
- Made from stainless steel SUS304
- Fast and cost-effective installation

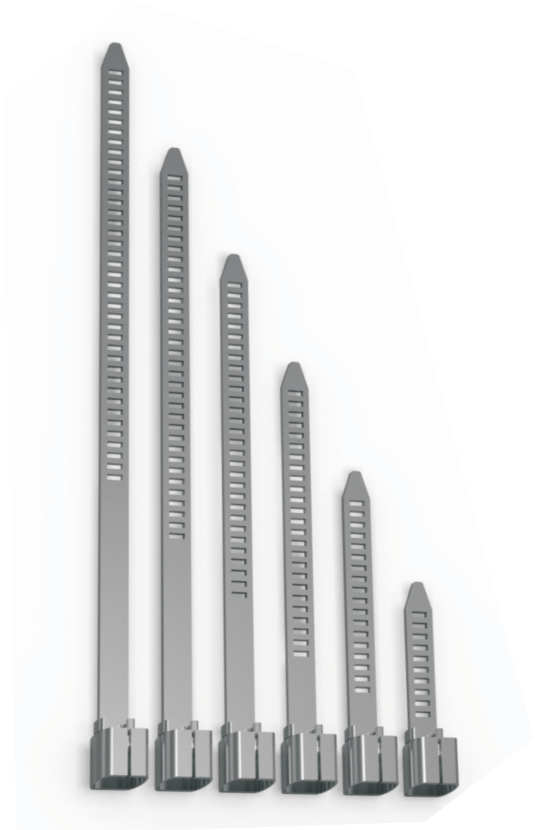
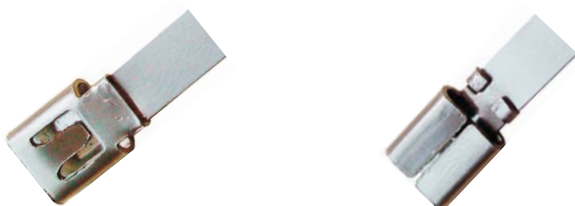


Stainless steel cable tie

- Various length available
- Stailles steel sus304
- Unique buckle locking mechanism
- Fast& easy inastation

Material in high quality SUS304			
Item	Width (mm)	Length (mm)	Package (pcs/pkg)
CK-FSC-TA-150	4.6	150	100
CK-FSC-TA-200	4.6	200	100
CK-FSC-TA-250	4.6	250	100
CK-FSC-TA-300	4.6	300	100
CK-FSC-TA-350	4.6	350	100

- Package 5000 PCS/CTN



PV Connector

CK-0807-A/B CK-0807-3A/3B CK-0808-A/B CK-0808-3A/3B
 PV Junction Box adopts crowned spring and has automatic locking mechanism on plugs to ensure solid connection between contact and connector. Connector plug (negative) is equipped with buttons that are symmetric at the bottom to ensure the convenience of removal. Such removal does not need any extra instruments, therefore, can make sure that the plug is intact.
 This advanced product, with easy usage, is more convenient to use than similar products. In addition, the product also confirms to DIN V VDE V 0126-3.



PV CONNECTOR



CK-0807-3A/3B(MC4)
 MC4 branch connector
 500 PCS/PKG



CK-0807-A/B(MC4)
 MC4 connector
 500 PCS/PKG



CK-0808-3A/3B(MC3)
 MC3 branch connector
 500 PCS/PKG

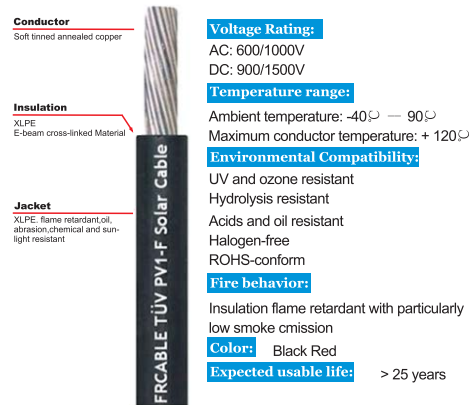


CK-0808-A/B(MC3)
 MC3 connector
 500 PCS/PKG

PV Cable

CHIKO Photovoltaic Cable

- Conductor : Tinned annealed copper
- Insulation : 120 μ XLPE, black
- Jacket : 120 μ XLPE, black
- voltage 600/1000V temperature 120 $^{\circ}$ C
- Specifically designed for connecting photovoltaic system components inside and outside of building and equipment with high mechanical requirements and extreme weather conditions . For permanent installations.
- Cable made of electron-beam cross-linked insulation and coating; high resistance against heat, cold, oil, abrasion, ozone, UV and weather; with improved reaction in case of fire; low smoke, halogen free, flame free, flame retardant; flexible, easy to strip, very low space requirement, extremely mechanically robust, very long lifetime.



Construction

Type	Conductor		Insulation Standard Thickness	Insulation Standard Dia.	Jacket Standard Thickness	Outer Dia.	Conductor resistance (20 $^{\circ}$ C)	Max. Current Carrying Capacity
	Construction	ConductorDia.						
mm 2	N/mm	(about)mm	mm	mm	mm	mm	Ω /KM	Apm
1.5	30/0.25 \pm 0.006	1.58	0.90	3.38 \pm 0.1	1.10	5.5 \pm 0.2	13.7	30
2.5	50/0.25 \pm 0.006	2.04	0.85	3.74 \pm 0.1	0.90	5.5 \pm 0.2	8.21	41
4.0	56/0.30 \pm 0.006	2.59	0.85	4.29 \pm 0.1	0.90	6.10 \pm 0.2	5.09	55
6.0	84/0.30 \pm 0.006	3.17	0.85	4.87 \pm 0.1	1.05	7.0 \pm 0.2	3.39	70

Electrical Properties

Item	Units	Specification
Conductor resistance (20 $^{\circ}$ C)	Ω / km	-
Insulation resistance (90 $^{\circ}$ C)	Ω / cm	$\leq 10^{11}$
Withstand voltage	V / 5min	AC6500
Lifetime	Year	≤ 25 years
Min.Bending Radius		5D



CHIKO Photovoltaic Cable

Item	Description	Package(meter/CTN)
CK-0809-1.5	Solar cable 1.5mm 2	500
CK-0809-2.5	Solar cable 2.5mm 2	500
CK-0809-4.0	Solar cable 4.0mm 2	500
CK-0809-6.0	Solar cable 6.0mm 2	500



PROJECTS REFERENCE



PROJECTS REFERENCE



PROJECTS REFERENCE



WORLD LEADING MANUFACTURE



Shanghai CHIKO Solar Technology Co., Ltd.

Add: No.878 Cheng Liu Rd., Jiading District, Shanghai 201801 China

Tel: +86-21-59972267 / 59972938

Fax: +86-21-51861626

Email: sales@chikolar.com

www.chikosolar.com / www.chikolar.com